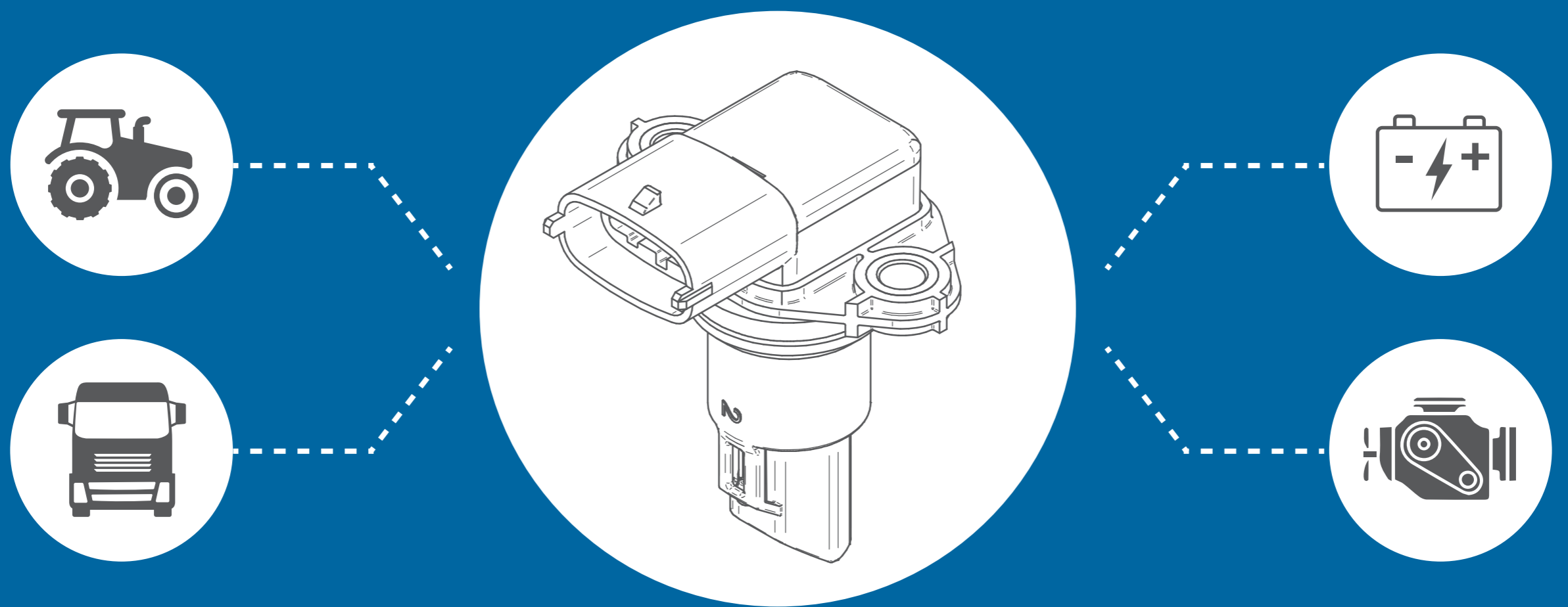


# TRICAN 5V

LOW POWER, RUGGED, DIGITAL COMBINATION SENSOR FOR ENGINE & FUEL CELL MONITORING



Changing government regulations and market standards are driving demand for low power, highly reliable solutions that perform in harsh environments.



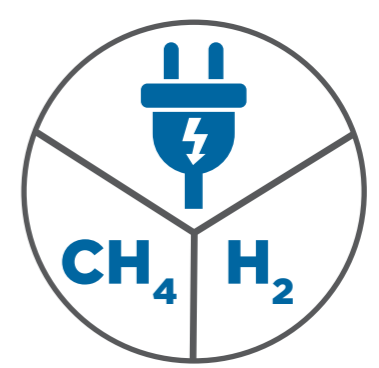
Low Power



Emission Standards



Reduced Air Pollutants



Alternative Vehicle Demand

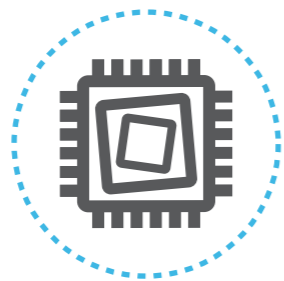
TE Connectivity's (TE) TRICAN 5V is designed for engine and fuel cell applications that require a low power, digital combination sensor for accurate monitoring and diagnosis in harsh vehicle environments. The first-of-its kind in the market, our proven automotive-grade 12V and 24V TRICAN sensors are now packaged with a 5V supply design, keeping the same high performance and reliability. Our TRICAN provides output signals for relative humidity, temperature and pressure from a single device.

With measurements delivered as a digital output on a CANbus, the TRICAN sensor provides exceptional value, proven reliability and accurate performance from a brand you can trust.

## DESIGN



5V Power Supply



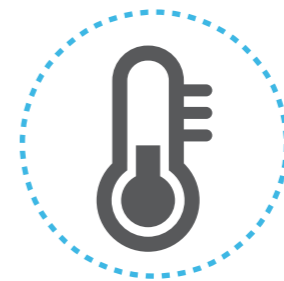
Digital Output



Rugged Construction



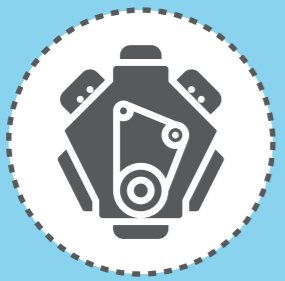
Humidity Sensor



Temperature Sensor

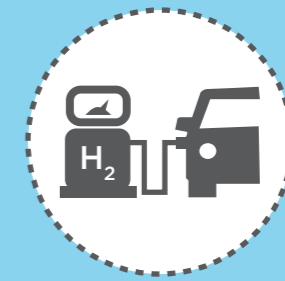


Pressure Sensor



Engine Monitoring

## APPLICATIONS



Fuel Cell Monitoring

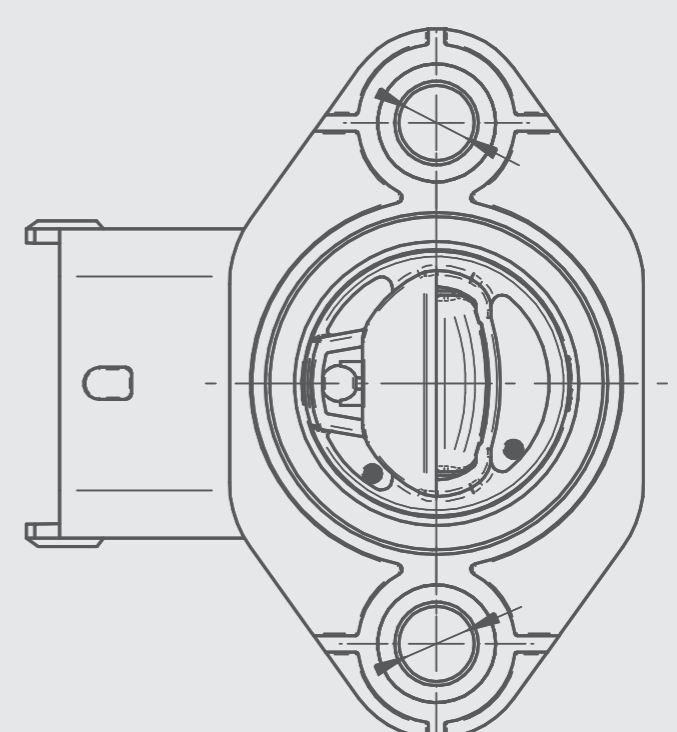
## MODEL OPTIONS

### ORDERING INFORMATION

Description	Part Number
TRICAN 5V	10142032-01

### 12V AND 24V OPTIONS ALSO AVAILABLE

Description	Part Number
TRICAN 12V	HPP816E031
TRICAN 24V	HPP816E056



[CLICK HERE TO LEARN MORE](#) >